

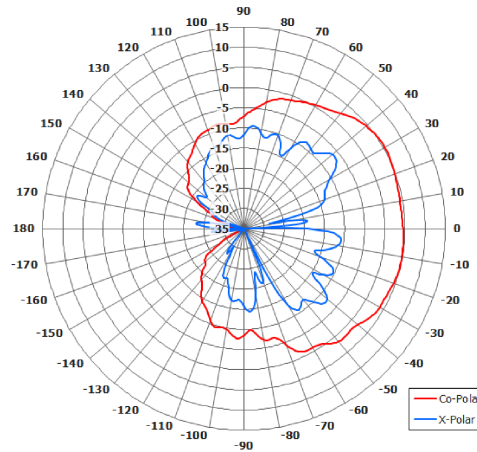
FPA7-2.0-6.0R-HP/2231

Directional Antenna

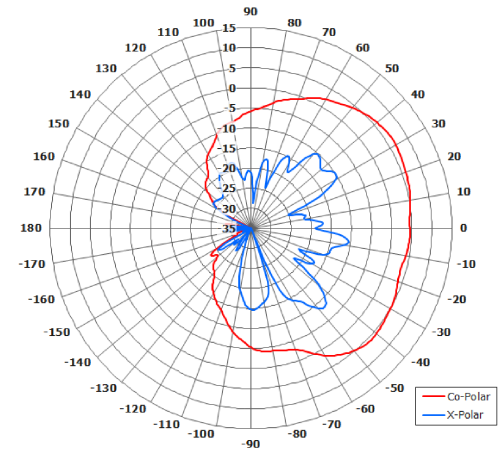


Key Features

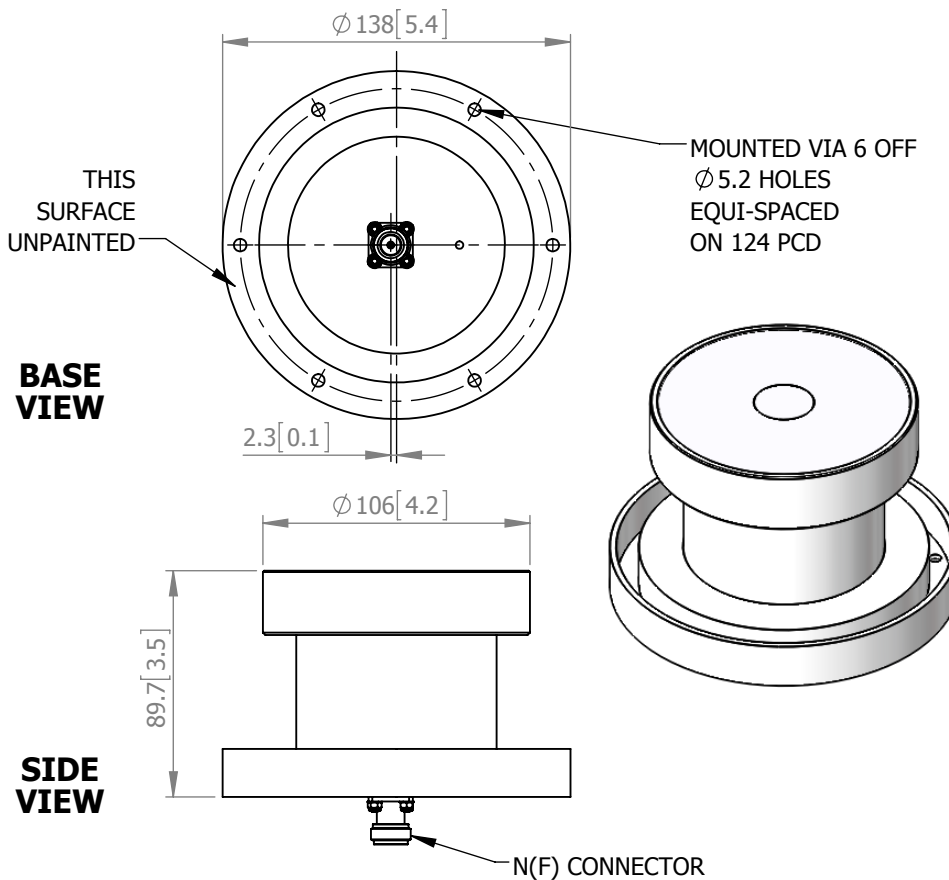
- Designed MIL Standards
- Right Hand Circular Polarised
- Wideband
- High Power



Azimuth Polar Plot



Elevation Polar Plot



ELECTRICAL

Frequency:	2.0 - 6.0 GHz
Gain:	7 dBIC Typ.
Polarisation:	Right Hand Circular
Beamwidth:	70° (Az) x 70° (El) Approx
Axial Ratio:	3 dB Typ.
VSWR:	2:1 Typ, 2.5:1 Max.
Power Rating:	100 W CW
Front to Back:	>20 dB

MECHANICAL

Standard Finish	White
Mass:	622g / 1.37 lbs
Temperature:	-20° to +50°C
Wind Loading:	2.4 Kg / 5.3 lbs @ 100 mph

Environmental Qual

- MIL-STD-810G: Temperature High-Low
- Temperature / Altitude
- Temperature Shock
- Humidity
- Acceleration
- Vibration
- Mechanical Shock

DS: 2231-1 Issued: 220316
Dimensions: mm [inches] M

Chelton Limited has a policy of continuous development and stress that the information provided is a guide only and does not constitute an offer or contract or part thereof. Whilst every effort is made to ensure the accuracy of the information contained in this brochure, no responsibility can be accepted for any errors or omissions.

The copyright of antenna designs and images is copyright protected and owned by Chelton Limited.
 ©Chelton Limited

For further information please contact:
 Chelton Limited,
 Lambda House, Cheveley,
 Newmarket, Suffolk CB8 9RG, UK.
 T: +44 (0)1638 732 177
 E: newmarket.sales@chelton.com
 W: www.chelton.com/microwave