

A soldier in a vehicle wearing a headset and tactical vest. The soldier's name tag reads "GUICHARD". The image is overlaid with a dark blue tint.

CHELTON

Flexible Vehicle Intercom System

TacG2 (AN/VIC-5): Software defined core for increased capability and functionality

[chelton.com](https://www.chelton.com)

✓ Compatible with the TGI VoIP Terminal

✓ Highly reliable

✓ Easy to use

✓ CNR remote control

✓ IP connectivity

✓ Selective calling



Building on success

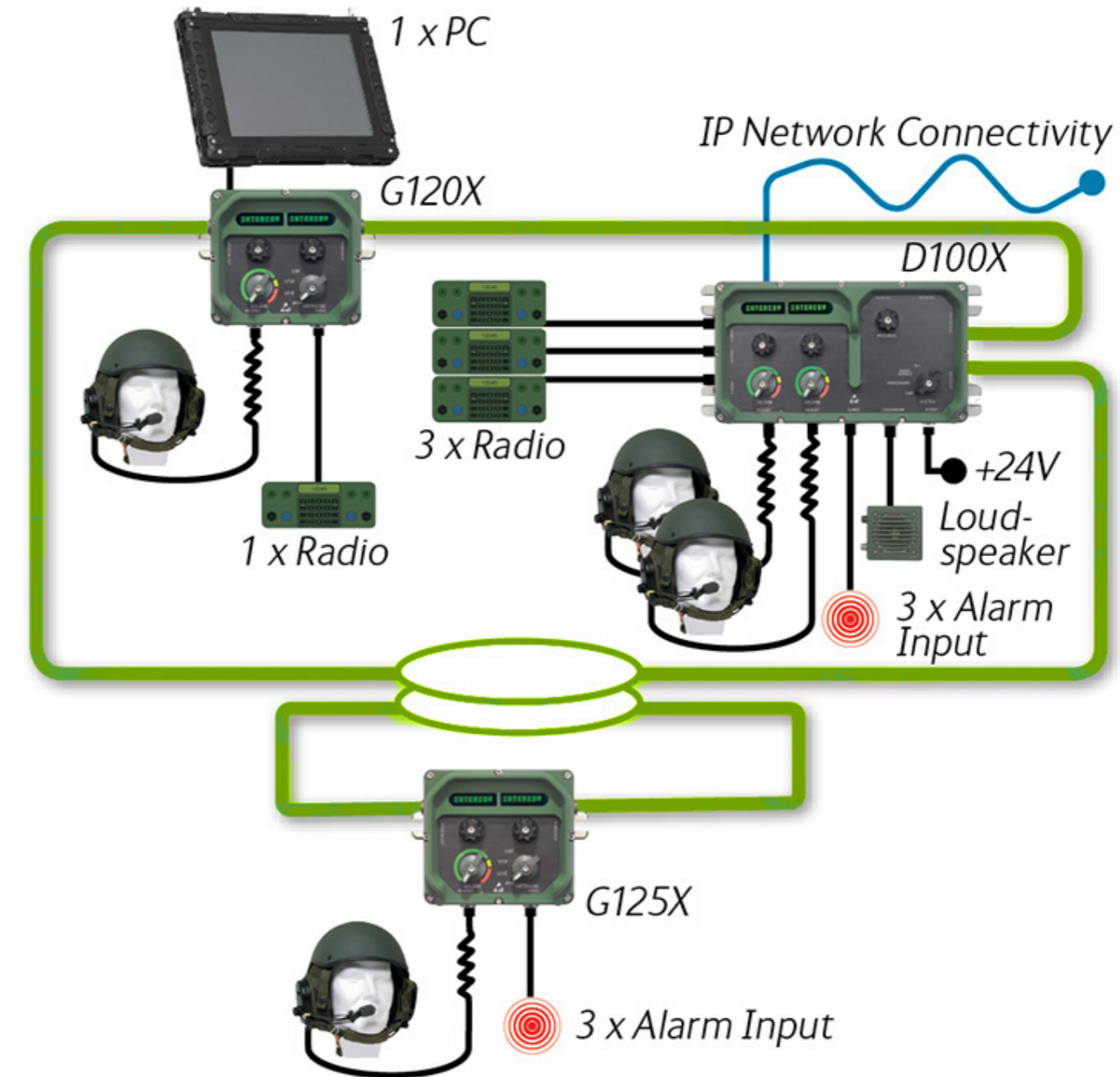
Mission critical platforms require a Vehicle Intercom System that provides high reliability to allow the crew to fight their platform under all circumstances, even after battle damage has been sustained.

Chelton's modular approach to VIS provides customers with a complete capability across a wide spectrum of platform types and functions; ranging from light vehicles to heavy armour and command centres enabling safe, secure, fast and reliable voice and data communications. The reliability and quality of Chelton's VIS is second to none and the solid foundations we have built on previous systems has been used to create TacG2 - the next generation system.

TacG2 retains the base features of other VIS in the Chelton family and uses the same form factor, cable assemblies and mounting points to create a truly backwards compatible system.

TacG2 Features

- ✓ 20 users/16 radios
- ✓ Advanced TDMA architecture
- ✓ No single point of failure
- ✓ VoIP calling
- ✓ CNR remote control
- ✓ Reduced box count and small footprint options for light vehicles
- ✓ Automatic detection of Binaural (Split-Phone) / Monaural headsets upon connection.



The Choice of Professionals

The unique ring architecture of Chelton's VIS system provides dual paths for both signal data and power. With in-built dual redundancy, extra reliability is available in the unlikely event of electronic or battle damage.

Architecture

The flexible configuration is for four radios, loudspeaker connection, interface for PC, IP connection to an external network or other TacG2 equipped vehicle and for turret and chassis alarm inputs.

Compatibility

Offers backwards compatibility with ROVIS (AN/VIC-3) thanks to common architecture across the two VIS.

What can Chelton offer?

Battle-proven Vehicle Intercom System specifically designed for effective and reliable Command and Control solutions.

1. Unrivalled performance

Reports obtained from front line users confirm a very high level of performance, reliability and availability.

2. Perfect for the present and the future

The system's modular nature provides cost effective enhancements and increased capability to meet current and future operational needs.

3. Proper Tough

Our VIS are built to full military specifications with a high level of battle damage resilience. Not only are they tough, but they are easy to use even with gloves on!



"The quality of the products under this contract have exceeded all expectations. Reliability and availability data is estimated to be among the highest of any this office has seen for this type of system. Grading:- Exceptional."

US DoD

The TacG2 Suite

Increased capability and functionality for up to 20 crew members and 16 radios.

Tactical Gateway Station

- ✓ Three radio ports with RS232 data
- ✓ Ethernet connection / IP network gateway
- ✓ Inter-vehicle connectivity
- ✓ BIT and fault monitoring
- ✓ NVG compatible displays
- ✓ Software upgradable in the field or remotely



Advanced Crew Stations

- ✓ Ethernet / RS232 for data transfer, SIP phone, PC and more
- ✓ NVG compatible displays
- ✓ Selective calling
- ✓ Live/Vox/PTT selection
- ✓ Noice-tracking Aox
- ✓ Selection of work/monitor radio



Radio Interface Terminal G2

- ✓ Provides two radio ports
- ✓ With RS232 data for remote radio control



TacG2 Quick Reference

	Display	Crew Access		Radio Interface			Ancilliary Connections			
		1	2	1	2	3	Power	L/S	EU	Alarms
TGS (D100X)	✓		✓			✓	✓	✓		✓
ACS (G120X)	✓	✓		✓					✓	
ACS (G125X)		✓							✓	✓
DACS (G110X)	✓		✓						✓	