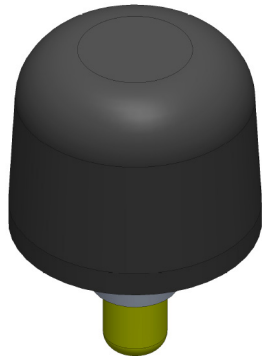
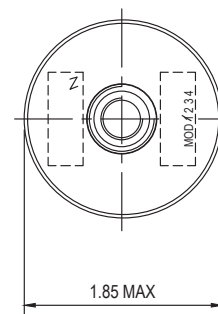
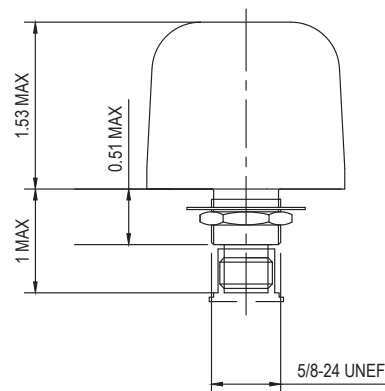


10-30 and 10-31 series

ECM Antennas 1 GHz - 18 GHz



CHELTON



Key features:

- Suitable for ECM and ESM applications
- Wideband
- Foam filled for high durability

The 10-30 and 10-31 Series of antennas are linearly polarised discone antennas, operating within the frequency range 1 to 18 GHz and are intended for airborne transmit and/or receive ECM/ESM Systems.

Each antenna type comprises a Low loss, fibre glass radome which protects the discone. The antennas are filled with low loss closed-cell polyurethane foam.

Part number	Frequency	VSWR (max)	NSN Number
10-30	1 - 1.5 GHz	5.0:1	-
	2 - 10 GHz	3.0:1	
	11 - 16 GHz	5.0:1	
10-30-1	1 - 1.5 GHz	5.0:1	5865-99-643-8333
	2 - 10 GHz	3.0:1	
	11 - 16 GHz	5.0:1	
10-30-2	1 - 3 GHz	5.0:1	-
	3-18 GHz	2.0:1	
10-30-3	2.3 - 2.5 GHz	1.5:1	-
10-30-4	4.2 - 5.0 GHz	1.5:1	-
10-30-5	2.24 - 2.34 GHz	1.3:1	-
10-30-6	9.7 - 10.5 GHz	1.5:1	-
10-31	1 - 1.5 GHz	5.0:1	5865-99-643-8346
	2 - 10 GHz	2.0:1	
10-31-1	3.49 - 3.51 GHz	1.5:1	-

ELECTRICAL

Impedance	50 ohm
Polarisation	Vertical, linear
Radiation	Monopole ($\lambda/4$)
RF Power	500 W

MECHANICAL

Dimensions (LWH)	47 x 47 x 39 mm 1.85 x 1.85 x 1.53 "
Max Weight	0.125 kg (0.27 lbs)
Connectors	TNC Female
Mounting	1 hole, nut and washer

ENVIRONMENTAL

Temperature	-54°C to +55°C (intermittent +71°C)
Altitude	50,000 ft
Vibration	MIL-STD-BI0E, Method 514. 4, Proc I, Cat 5
Mechanical Shock	MIL-STD-BI OE, Method 516. 4, Proc I & V, Fig 516.4-4 Functional Crash Hazard 11 ms, 20 g terminal sawtooth 11 ms, 40 g terminal sawtooth
Magnetic Effect	RTCA DO-160D, Section 15, Class Z Less than 1° deflection at 300 mm

