

XVO7-960-1215/2486

Omni Antenna

Key Features:

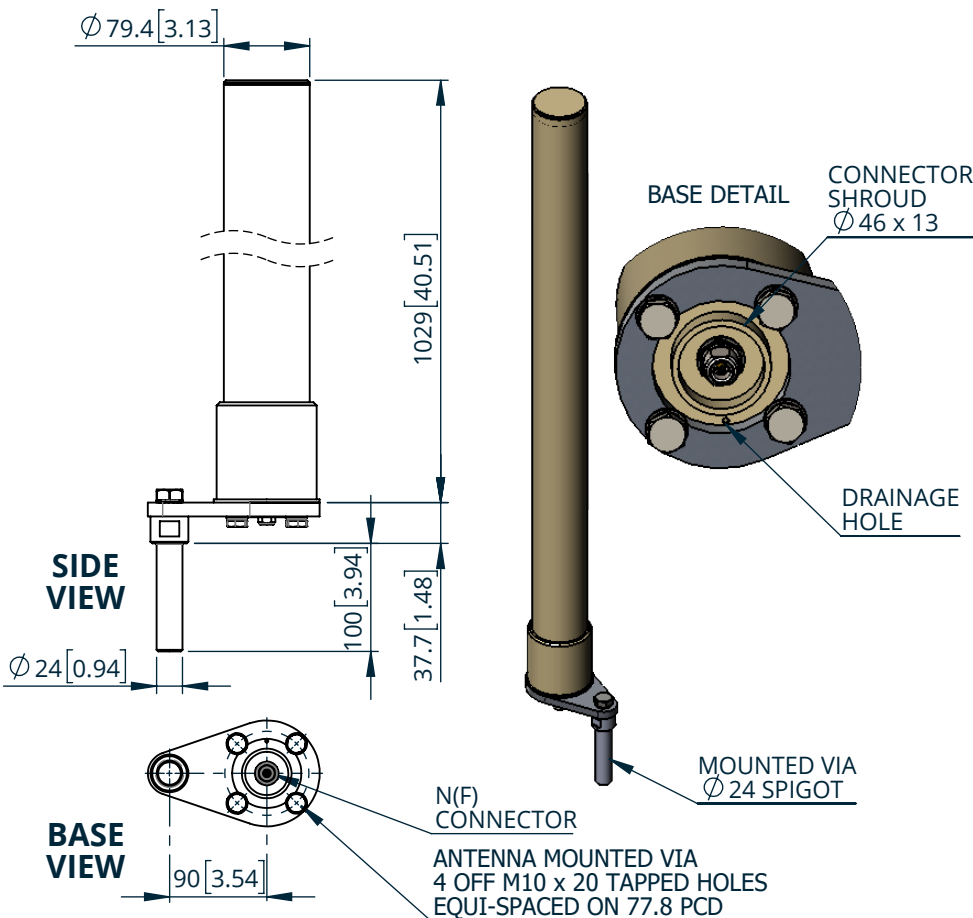
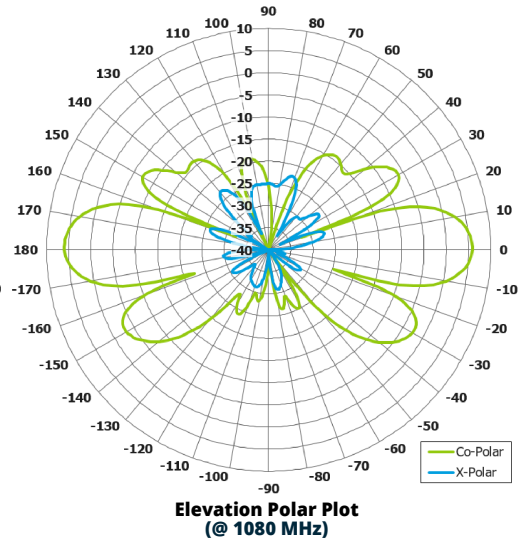
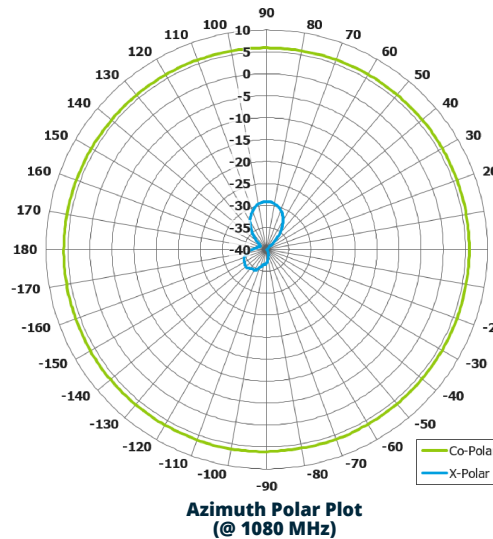
Designed for Link 16 military tactical data link networks

High gain

Very low azimuth ripple

Wideband performance

Rugged design



ELECTRICAL

Frequency: 960 to 1215 MHz

Gain: 6.5 dBi Typ.

Polarisation: Vertical

Beamwidth: $360^\circ \times 18^\circ$ Typ.

Azimuth Ripple: <0.5 dB Typ.

Cross Polar: >30 dB Typ.

VSWR: 2:1 Max, 1.5:1 Typ.

Power Rating: 200 W @ 50% Duty

DC Grounding: Yes

MECHANICAL

Standard Finish: Desert Tan

Mass: 2.5 Kg / 5.5 lbs

Temperature: -40 to $+50^\circ\text{C}$

Wind Loading: 129 N @ 100 mph

MOUNTING OPTIONS

Kits Available: MK2/C - Pole Mount

See separate datasheet

Full radiation patterns and CAD available on request

DS: 2486i3

Issued: 230621

Dimensions: mm [inches]