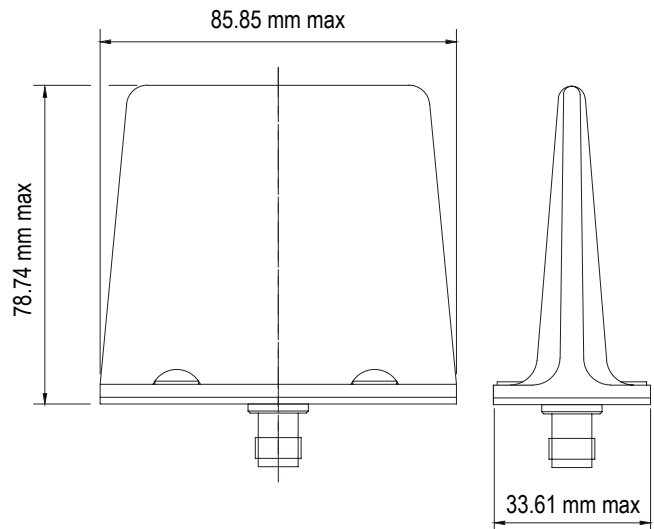


32-1000

Wideband Communications
Antenna 698 MHz - 3000 MHz

CHELTON



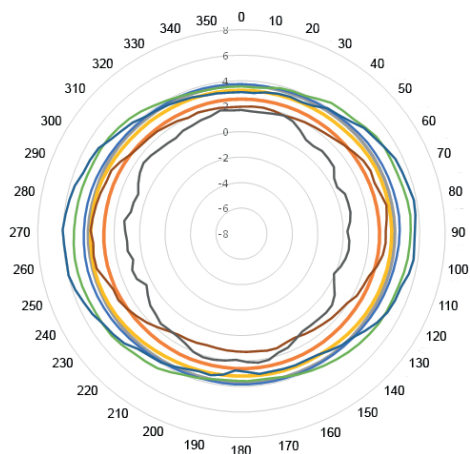
Key features:

- EFB/IFE connectivity
- GSM, WiFi and LTE
- Foam filled for high durability

The 32-1000 is a wideband communications antenna designed to provide GSM, WiFi and LTE connectivity.

Intended uses are data links for: electronic flight bags, cargo information, and in-flight entertainment system data.

The antenna is housed within an injection moulded PEEK shell and foam filled for maximum environmental protection.



ELECTRICAL

Frequency Range	698-3000 MHz		
Impedance	50 ohm		
Polarisation	Vertical, linear		
Radiation	Omnidirectional in azimuth		
RF Power	100 W cw, 500 W peak (2.7% duty cycle)		
Performance (at 20° elevation on 1.2 m diameter groundplane)	Frequency (MHz)	VSWR	Gain
	698-2000	< 2.5:1	> +2 dBi
	2000-2700	< 2.5:1	> +1 dBi
	2700-3000	< 2.5:1	> -1 dBi

MECHANICAL

Dimensions	79 x 86 x 39 mm 3.11 x 3.38 x 1.53 "
Max Weight	0.125 kg (0.27 lbs)
Connectors	TNC Female
Mounting	4 holes fixed location (M5)
Colour	Black

ENVIRONMENTAL

Temperature	-54°C to +85°C
Altitude	-1800 ft to 70,000 ft
Qualification	Can be qualified to DO-160 or MIL-STD-810