

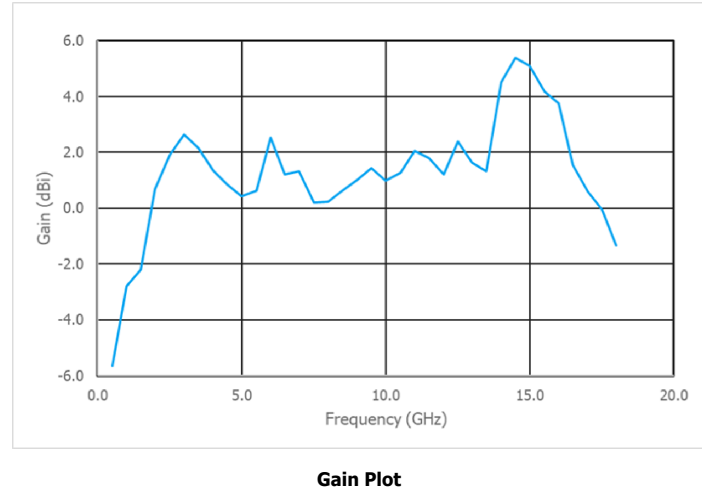
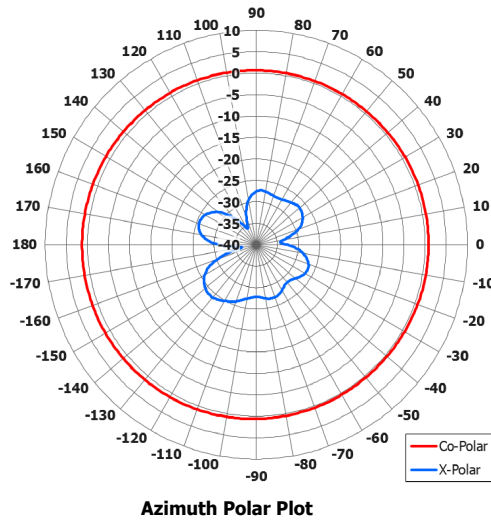
OA-0.5-18V/2509

Omni Antenna

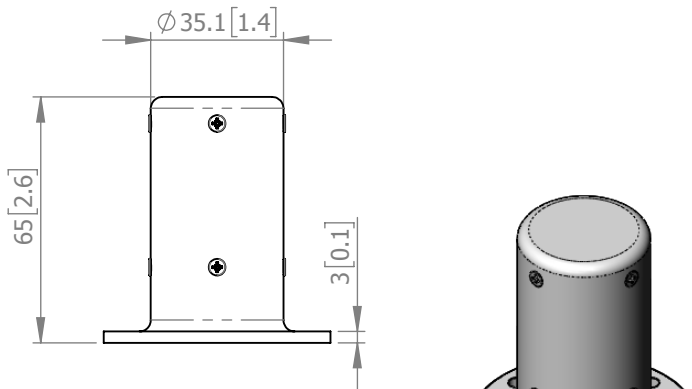


Key Features

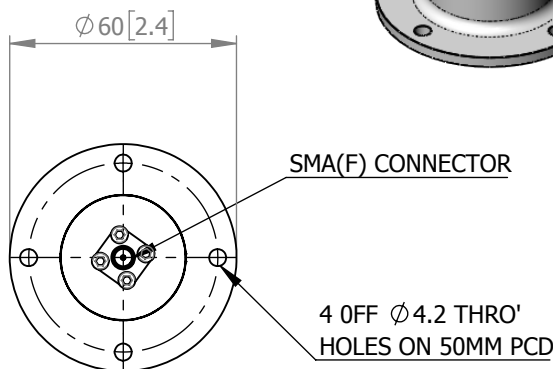
- Compact
- Ultra wideband
- Omni-Directional
- Light weight
- Rugged



SIDE VIEW



BASE VIEW



ELECTRICAL

Frequency:	0.5 - 18 GHz
Gain:	-6.0 to +5.4 dBi
Polarisation:	Linear (Vertical)
Beamwidth:	360° (Az) x 45° (El) Typ.
Cross-Polar:	20 dB Typ.
VSWR:	0.5-1GHz: <9:1 1-2 GHz: <3:1 2-18 GHz: <2:1
Power Rating:	10 W
Front to Back:	N/A

MECHANICAL

Standard Finish:	PTFE
Mass:	0.108 Kg / 0.238 lbs
Temperature:	-20° to +50°C
Wind Loading:	3.3N @ 100 mph

MOUNTING OPTIONS

Kits Available:	N/A
------------------------	-----

DS: 2509-1 Issued: 130319
Dimensions: mm [inches] L

Chelton Limited has a policy of continuous development and stress that the information provided is a guide only and does not constitute an offer or contract or part thereof. Whilst every effort is made to ensure the accuracy of the information contained in this brochure, no responsibility can be accepted for any errors or omissions.

The copyright of antenna designs and images is copyright protected and owned by Chelton Limited.
©Chelton Limited

For further information please contact:
Chelton Limited,
Lambda House, Cheveley,
Newmarket, Suffolk CB8 9RG, UK.
T: +44 (0)1638 732 177
E: newmarket.sales@chelton.com
W: www.chelton.com/microwave