

OA6-0.96-2.5V/2656

LINK 16 / TTNT Omnidirectional Antenna

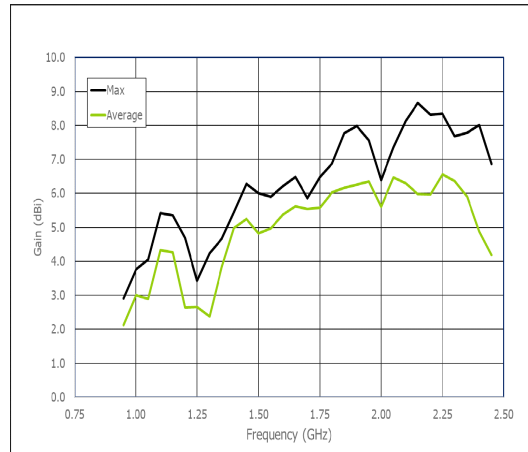
Provisional Specification

Key Features:

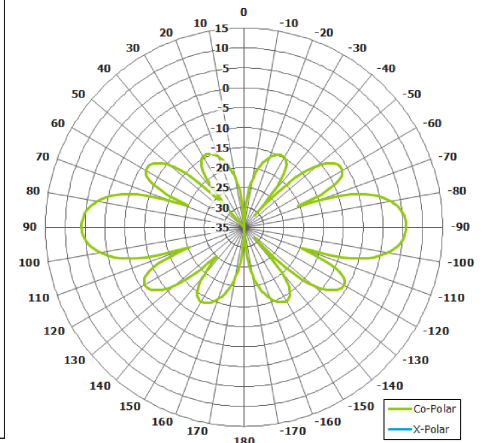
Omnidirectional pattern with low azimuth ripple

Designed for LINK16 and TTNT applications

Suitable for ground to air links

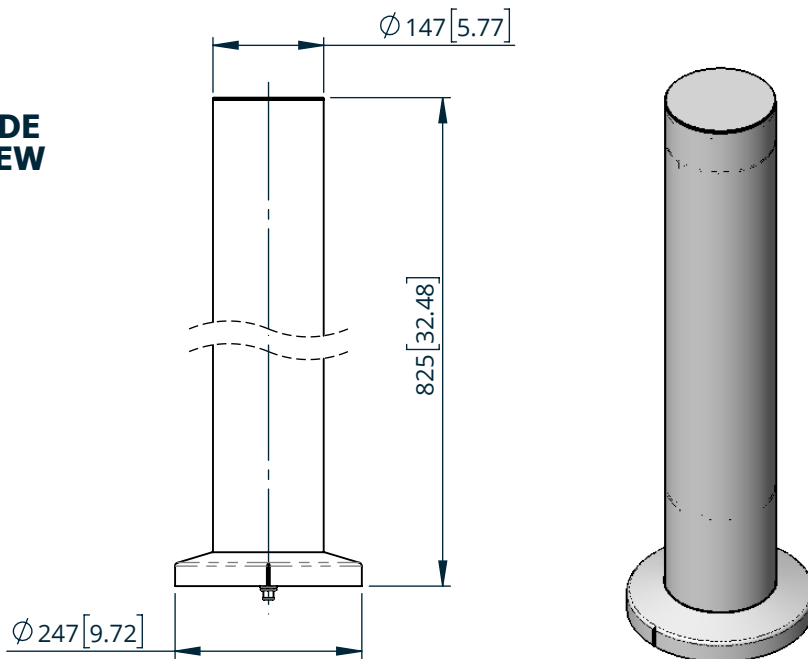


Typical gain curve

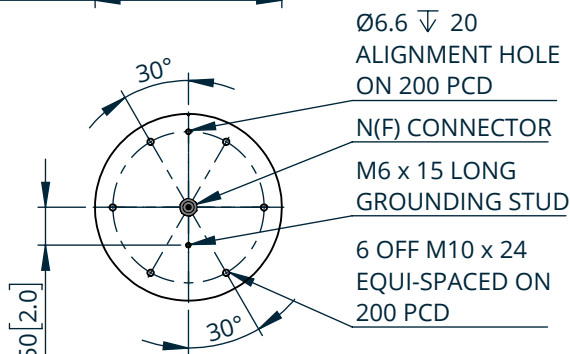


Elevation Polar Plot (@ 1550 MHz)

SIDE VIEW



BASE VIEW



ELECTRICAL

| | |
|----------------------|------------------------|
| Frequency: | 960 to 2400 MHz |
| Gain: | See typical gain curve |
| Polarisation: | Vertical |
| Beamwidth: | 360° x 20° Typ. |
| VSWR: | 2:1 Typ, 3:1 Max. |
| Power Rating: | 100 W Average |

MECHANICAL

| | |
|-------------------------|-------------------|
| Standard Finish: | Grey |
| Mass: | 6.6 Kg / 14.5 lbs |
| Temperature: | -28 to +55°C |
| Wind Loading: | 174 N @ 100 mph |

Full radiation patterns and CAD available on request

DS: 2656-D

Issued: 021122

Dimensions: mm [inches]