

EVD2-960-1215/004

Omni Antenna

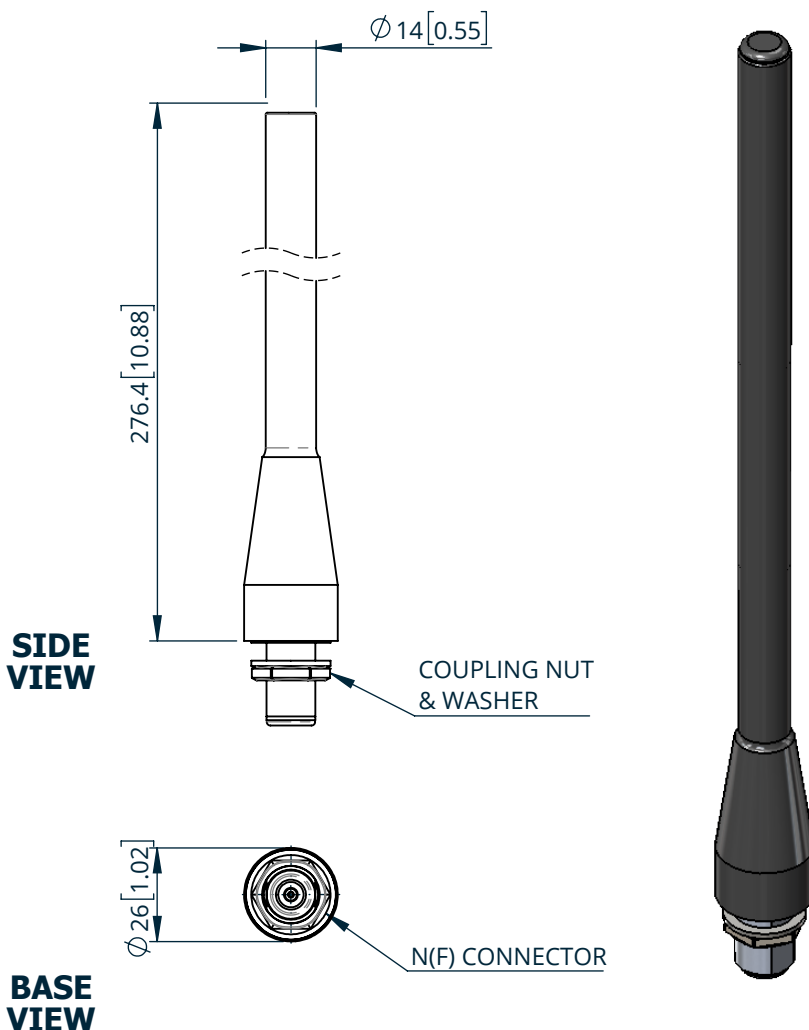
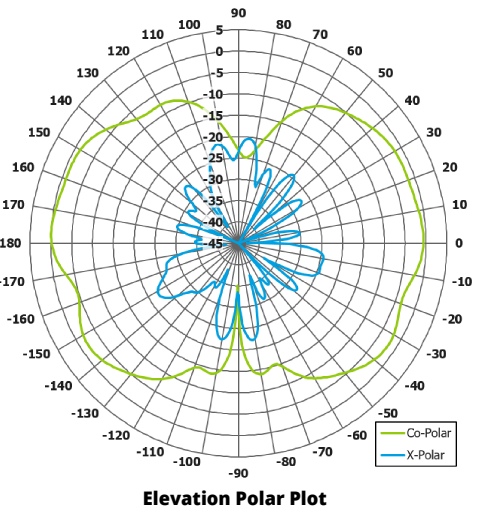
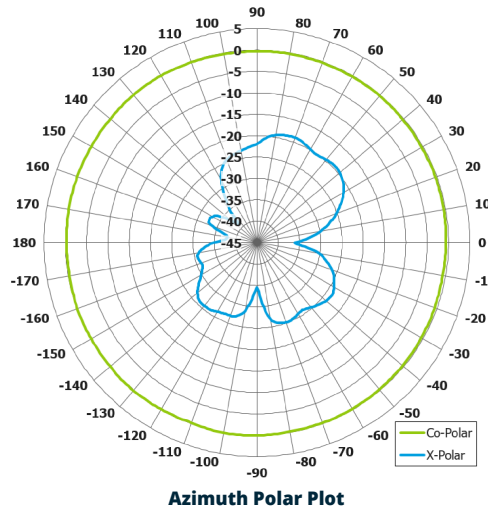
Key Features:

Designed for Link 16 military tactical data networks

Rugged compact design

Wideband performance

Low azimuth ripple



ELECTRICAL

Frequency: 960 to 1215 MHz

Gain: 0 dBi Typ.

Polarisation: Vertical

Beamwidth: 360° x 80° Typ.

Cross Polar: >15 to 20 dB Typ.

VSWR: 2:1 Typ, 2.5:1 Max.

Power Rating: 20 W

MECHANICAL

Standard Finish: Black

Mass: 0.125 Kg / 0.275 lbs

Temperature: -20 to +50°C

Wind Loading: 5.9 N @ 100 mph

Full radiation patterns and CAD available on request

DS: 0004-4

Issued: 250521

Dimensions: mm [inches]