

XVO7-960-1215/2374

Omni Antenna

Key Features:

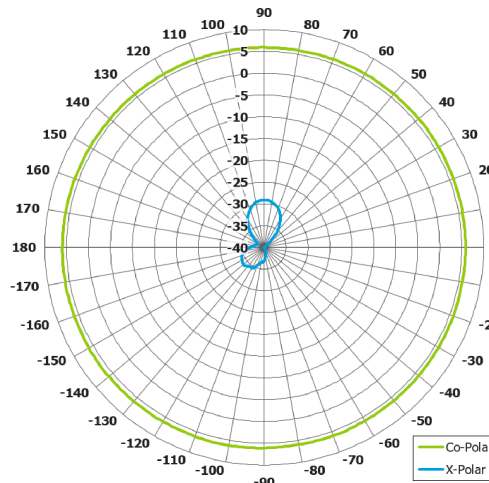
Designed for Link 16 military tactical data link network

High gain

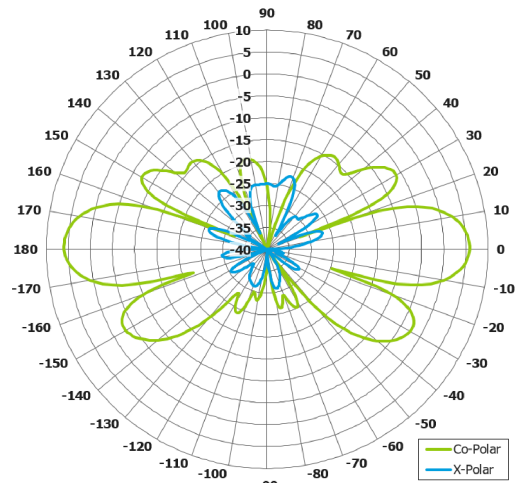
Very low azimuth ripple

Wideband performance

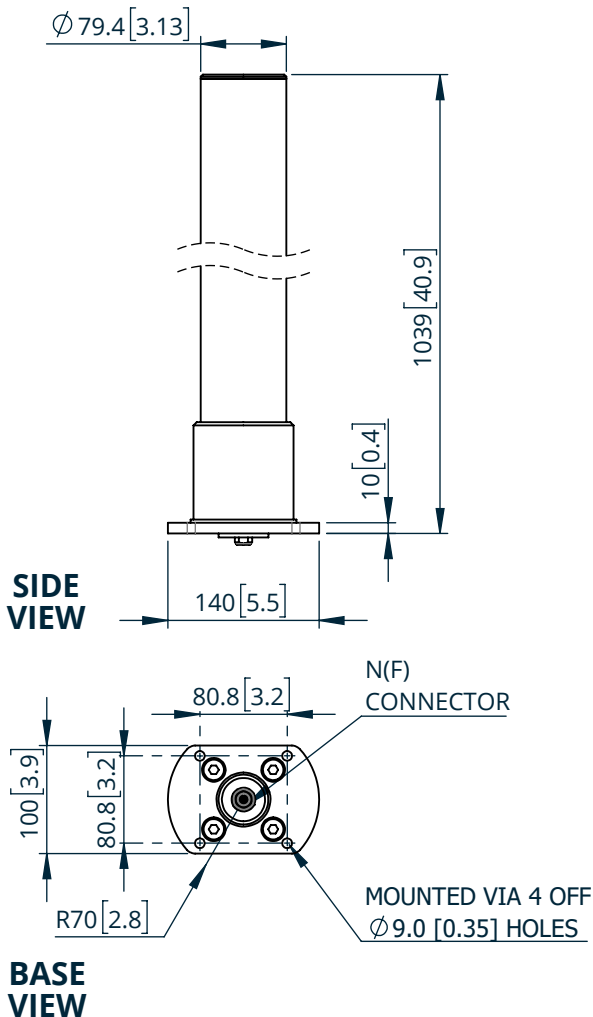
Rugged design



**Azimuth Polar Plot
(@ 1080 MHz)**



**Elevation Polar Plot
(@ 1080 MHz)**



ELECTRICAL

Frequency: 960 to 1215 MHz

Gain: 6.5 dBi Typ.

Polarisation: Vertical

Beamwidth: 360° x 18° Typ.

Azimuth Ripple: <0.5 dB Typ.

Cross Polar: >30 dB Typ.

VSWR: 2:1 Max, 1.5: Typ.

Power Rating: 200 W @ 50% duty

DC Grounding: Yes

MECHANICAL

Standard Finish: Green

Mass: 2.5 Kg / 5.5 lbs

Temperature: -40 to +50°C

Wind Loading: 129 N @ 100 mph

MOUNTING OPTIONS

Kits Available: MK22

See separate datasheet

Full radiation patterns and CAD available on request

DS: 2374-5

Issued: 110621

Dimensions: mm [inches]